

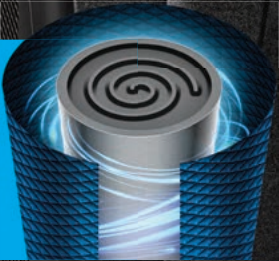


Jandy®

**HIGH PERFORMANCE.  
LESS NOISE.**



**SOUNDSHIELD™**  
Integrated sound-dampening technology



OFFICIAL  
POOL  
EQUIPMENT  
SUPPLIER



**VERSATEMP™**  
HEAT/CHILL PUMP



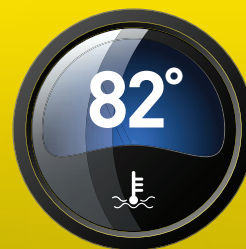
## Easy to Operate

An easy-to-access digital LCD controller enables touch-button operation and displays self-diagnostic notifications written in wording that makes sense to you, in the language of your choice.



## Dual Thermostats

Have your pool heated and your spa too! Dual thermostats allow you to enjoy your pool/spa combo as you like with water that's warm enough for you to swim in and a spa that's perfectly heated for a relaxing soak.



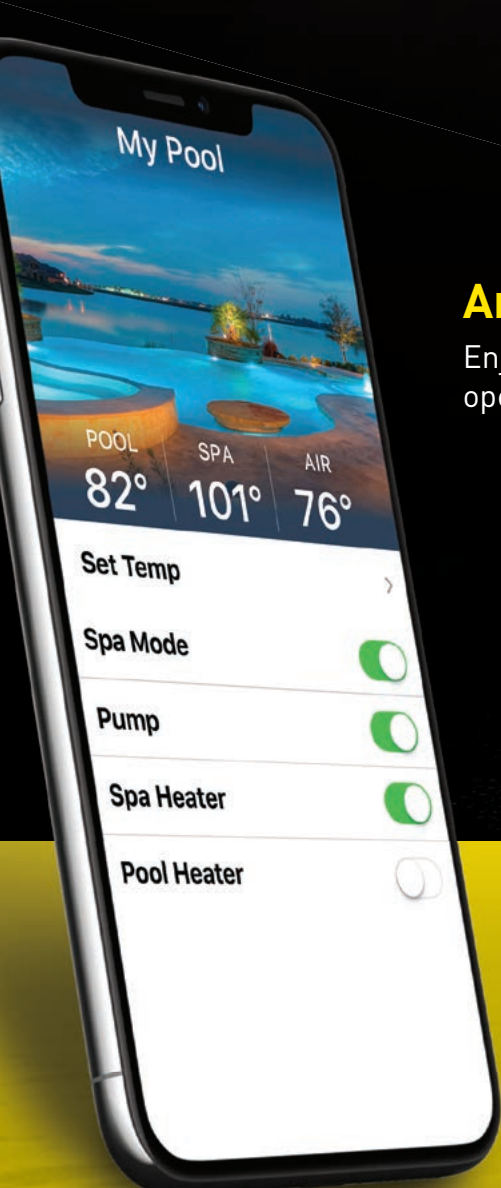
Pool



Spa

# WHY SETTLE FOR JUST WARM WHEN YOU CAN HAVE IT ANY WAY YOU LIKE...

The Jandy® VersaTemp™ Heat / Chill pump with SoundShield™ Technology regulates your pool and spa's temperature for the utmost comfort while significantly reducing operational noise. Designed for energy-efficient, eco-friendly performance and dual thermostats for pool/spa combinations, the VersaTemp offers intuitive operation with a built-in LCD panel and compatibility with AquaLink® automation systems for anytime, anywhere iAquaLink® app control.



## Anytime, Anywhere Control

Enjoy the convenience of on-the-go operation with the iAquaLink app.



**iAquaLink**  
CONTROL





 **SOUNDSHIELD™**  
Integrated sound-dampening technology

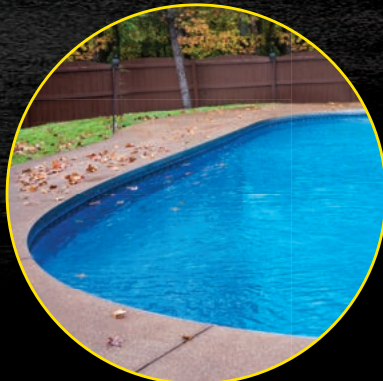


## SoundShield™ Technology

Not a fan of loud noises? Heat your pool and/or spa with significantly less noise. Specially designed SoundShield Technology consists of a swept-wing blade design to decrease turbulence and a decibel dampening acoustic blanket to help muffle compressor reverberation for even quieter operation — because you should feel the heat, not hear the heat pump.

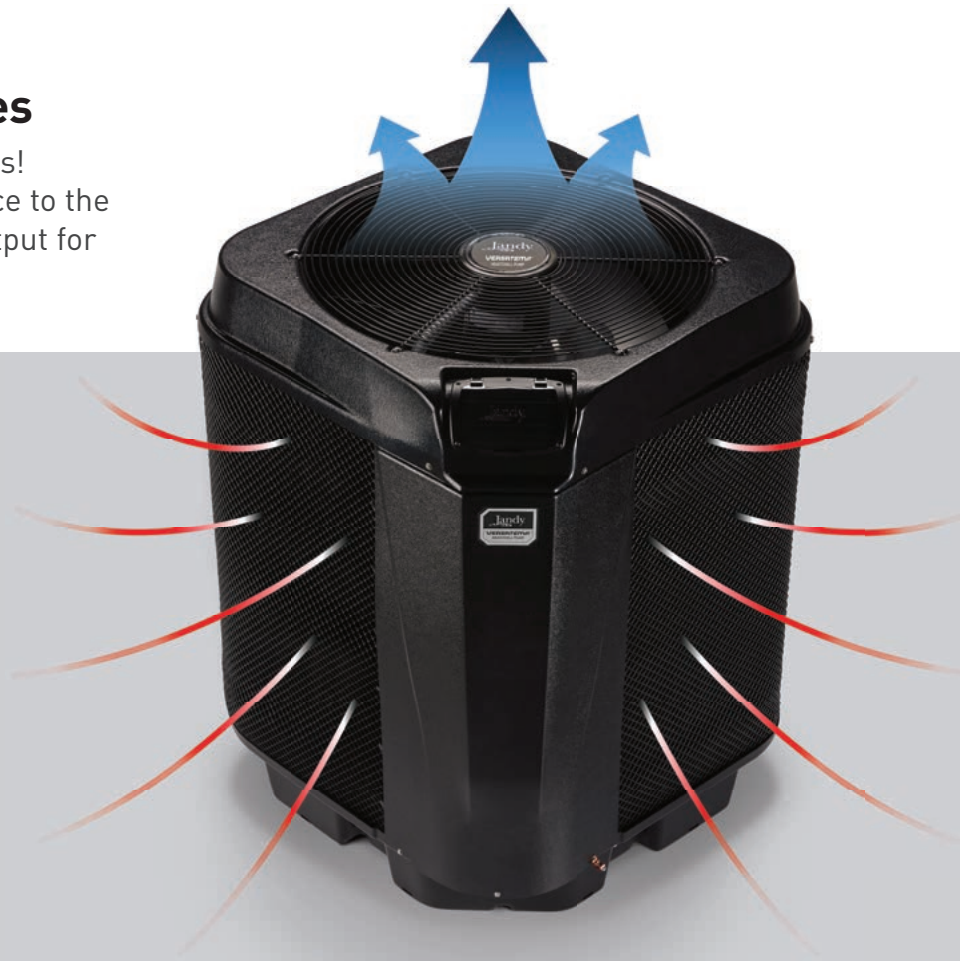
## Perfect Pool Temperature Year-Round

Why settle for just warm when you can have it any way you like... No matter what your preference, Jandy VersaTemp™ features innovative thermo control technology that can make your pool water the perfect temperature by either drawing heat from the air to warm the water or removing the heat from your pool to cool it down.



## Performance that Saves

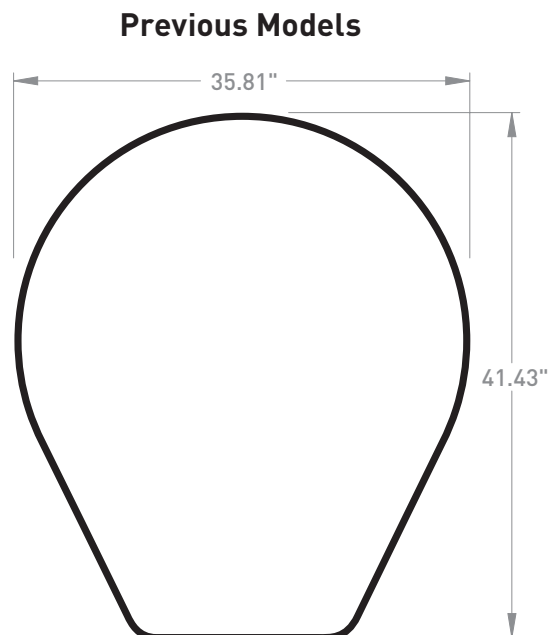
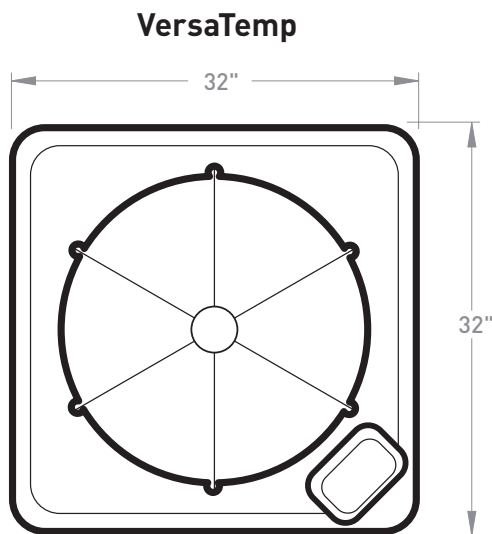
Bring on the heat with more BTU's!  
The VersaTemp takes performance to the next level with increased heat output for more efficient and faster heating.



## Smaller Footprint

The VersaTemp features a smaller footprint\* for more compact pool pad setups.

\*Versus previous models



## SPECIFICATIONS

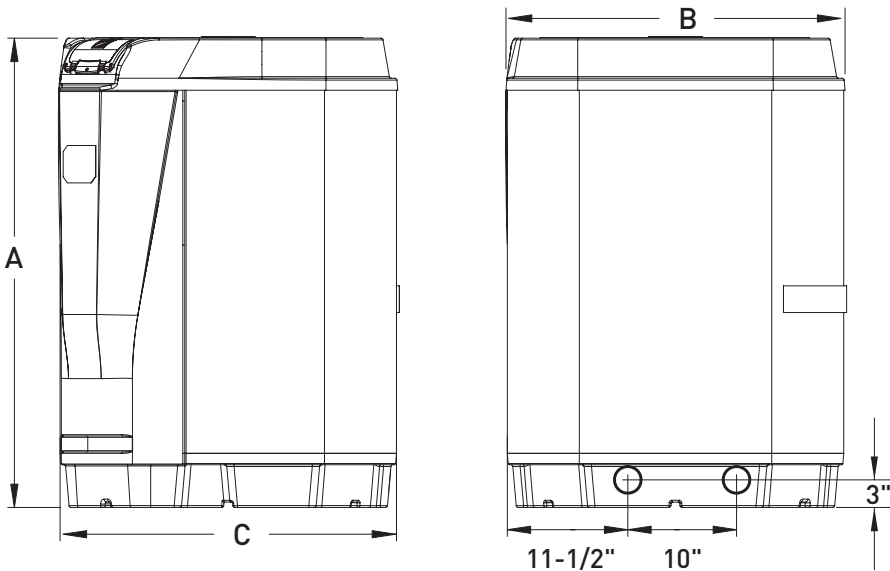
	JRT2000R	JRT2500R	JRT3000R	JRT3000R3
Output (BTU)*	103,000	116,000	130,000	130,000
Input (kWH)*	4.72	5.23	6.57	6.20
COP*	6.4	6.5	5.8	6.1
Output (BTU)**	96,000	109,000	124,000	124,000
COP**	6.1	6.1	5.6	5.9
Output (BTU)***	62,000	70,000	82,000	85,000
COP***	4.1	4.1	4.0	4.4
Voltage	208/230V/60Hz	208/230V/60Hz	208/230V/60Hz	208/230V/60Hz/3Ph
Minimum Circuit Ampacity	38	39	40	40
Max Over Current Protection	40	50	50	50
LRA	178	145	148	179
RLA	28.3	29	32.5	33
Compressor	Scroll			
Heat Exchanger	Titanium			
Optimal Water Flow (GPM)	42	48	57	57
Minimum Water Flow (GPM)	20	20	30	30
Maximum Water Flow (GPM)	70			
Weight (lbs)	232	242	252	300

\*Rated in accordance with AHRI Standard 1160: Test Conditions: 80°F Air, 80% RH, 80°F Water

\*\*Rated in accordance with AHRI Standard 1160: Test Conditions: 80°F Air, 63% RH, 80°F Water

\*\*\*Rated in accordance with AHRI Standard 1160: Test Conditions: 50°F Air, 63% RH, 80°F Water

## DIMENSIONS



MODEL	A	B	C
JRT2000R	42"	32"	32"
JRT2500R	42"	32"	32"
JRT3000R	45"	32"	32"
JRT3000R3	45"	32"	32"

A Fluidra Brand | Jandy.com | 1.800.822.7933

©2024 Fluidra. All rights reserved. The trademarks and trade names used herein are the property of their respective owners. Apple and the Apple logo are trademarks of Apple, Inc., registered in the U.S. and other countries. App Store is a service mark of Apple, Inc., registered in the U.S. and other countries. Google Play and Google Play logo are trademarks of Google LLC. All other trademarks are the property of their respective owners. 30601\_SL

TRADE SERIES  
EXCLUSIVE

